

Keysight N5470A 90000, 90000 X, and V-Series Oscilloscope Rack Mount Kit

Notices

© Keysight Technologies 2007, 2015

No part of this manual may be reproduced in any form or by any means (including electronic storage and retrieval or translation into a foreign language) without prior agreement and written consent from Keysight Technologies, Inc. as governed by United States and international copyright laws.

Manual Part Number

N5470-92001

Edition

Edition 2, February 2015

Printed in Malaysia

Published by:
Keysight Technologies, Inc.
1900 Garden of the Gods Rd.
Colorado Springs, CO 80907 USA

Warranty

The material contained in this document is provided “as is,” and is subject to being changed, without notice, in future editions. Further, to the maximum extent permitted by applicable law, Keysight disclaims all warranties, either express or implied, with regard to this manual and any information contained herein, including but not limited to the implied warranties of merchantability and fitness for a particular purpose. Keysight shall not be liable for errors or for incidental or consequential damages in connection with the furnishing, use, or performance of this document or of any information contained herein. Should Keysight and the user have a separate written agreement with warranty terms covering the material in this document that conflict with these terms, the warranty terms in the separate agreement shall control.

Technology Licenses

The hardware and/or software described in this document are furnished under a license and may be used or copied only in accordance with the terms of such license.

Restricted Rights Legend

If software is for use in the performance of a U.S. Government prime contract or subcontract, Software is delivered and licensed as “Commercial computer software” as defined in DFAR 252.227-7014 (June 1995), or as a “commercial item” as defined in FAR

2.101(a) or as “Restricted computer software” as defined in FAR 52.227-19 (June 1987) or any equivalent agency regulation or contract clause. Use, duplication or disclosure of Software is subject to Keysight Technologies’ standard commercial license terms, and non-DOD Departments and Agencies of the U.S. Government will receive no greater than Restricted Rights as defined in FAR 52.227-19(c)(1-2) (June 1987). U.S. Government users will receive no greater than Limited Rights as defined in FAR 52.227-14 (June 1987) or DFAR 252.227-7015 (b)(2) (November 1995), as applicable in any technical data.

Safety Notices

CAUTION

A **CAUTION** notice denotes a hazard. It calls attention to an operating procedure, practice, or the like that, if not correctly performed or adhered to, could result in damage to the product or loss of important data. Do not proceed beyond a **CAUTION** notice until the indicated conditions are fully understood and met.

WARNING

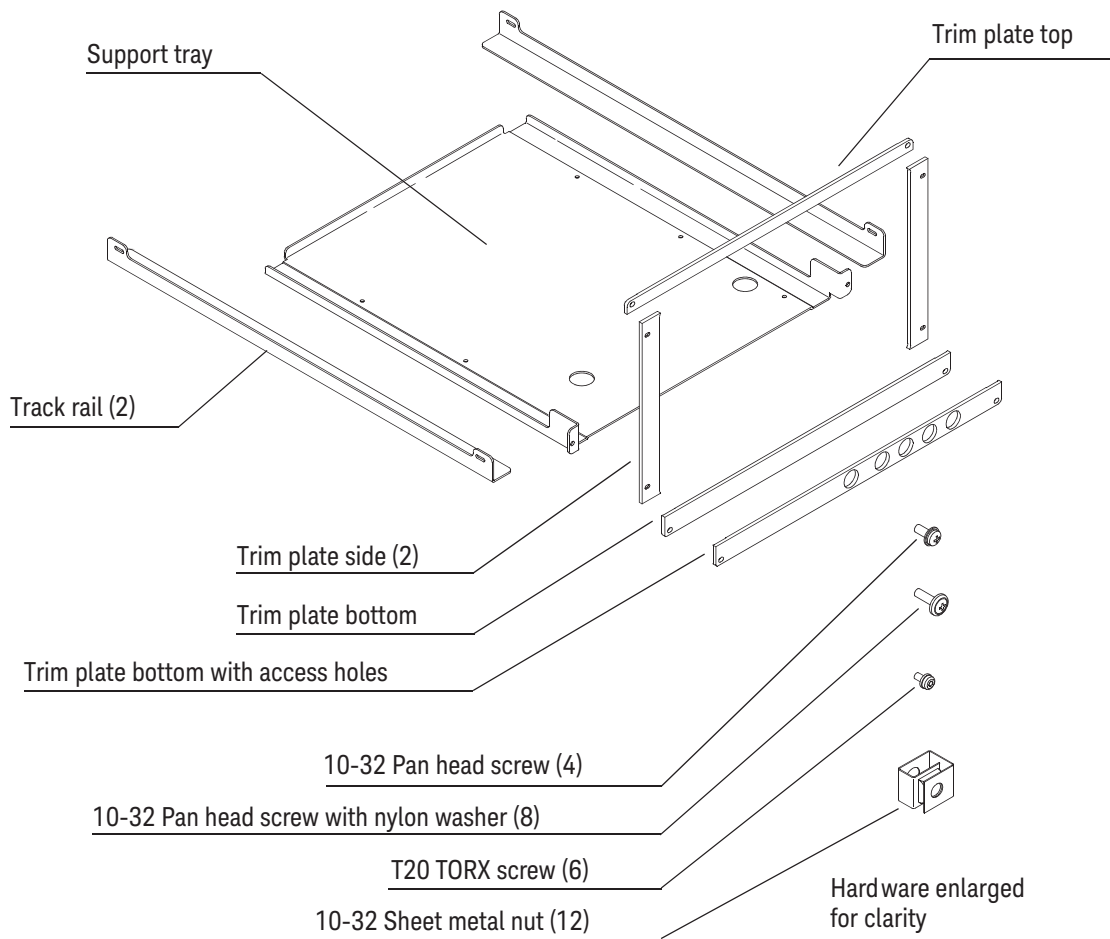
A **WARNING** notice denotes a hazard. It calls attention to an operating procedure, practice, or the like that, if not correctly performed or adhered to, could result in personal injury or death. Do not proceed beyond a **WARNING** notice until the indicated conditions are fully understood and met.

In This Guide

This guide contains instructions for installing the Keysight N5470A Rack Mount Kit. The rack mount kit provides a support shelf and hardware for mounting Infiniium 90000 Series, 90000 X-Series, and V-Series oscilloscopes into Electronic Industries Association (EIA) standard 19-inch (487-mm) rack cabinets.

Included parts

The rack mount kit includes the following parts:



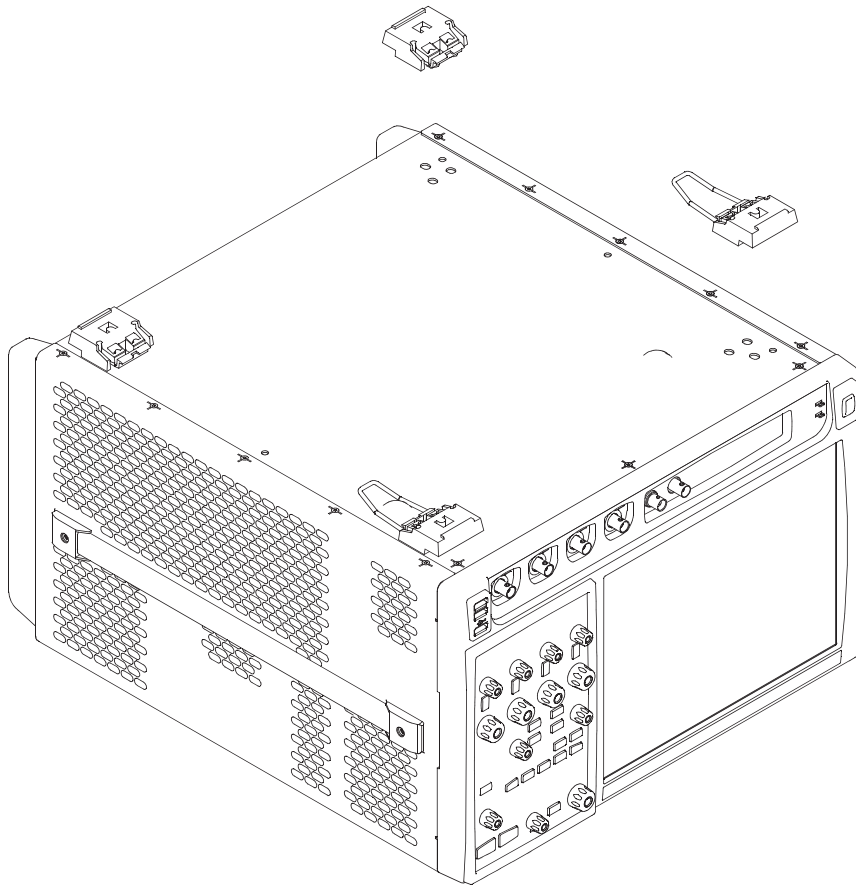
Installation

The following tools are required for installing the rack mount kit:

- T20 TORX driver
- #2 Phillips screwdriver

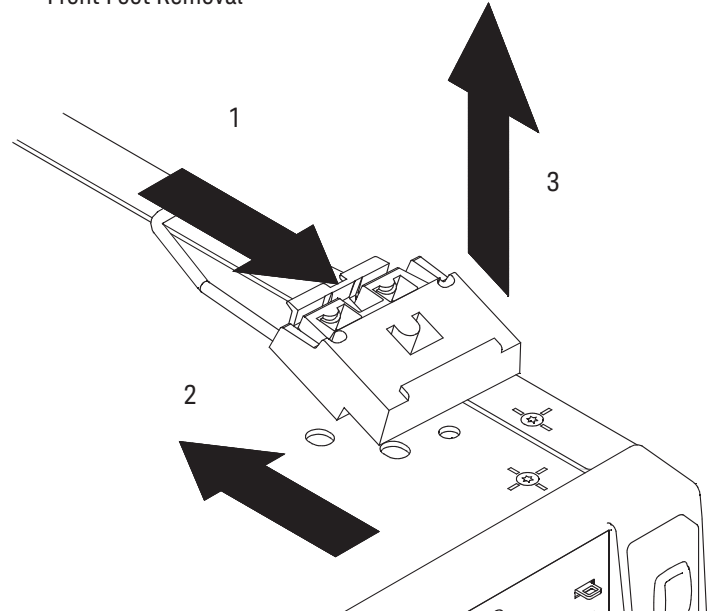
Attaching the oscilloscope to the support shelf

- 1 Place the oscilloscope upside down so the feet can be removed to expose support tray mounting holes.

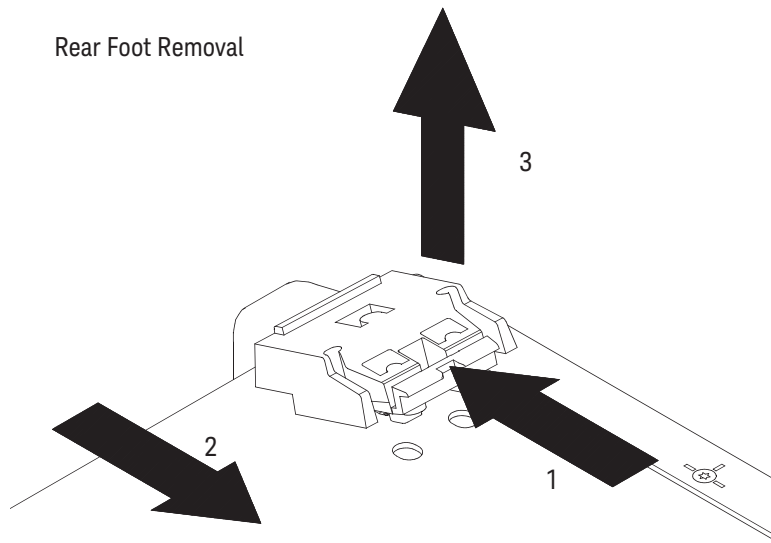


- 2 Grasp the feet firmly and squeeze the tab in the directions shown (1), slide (2), and lift off (3).

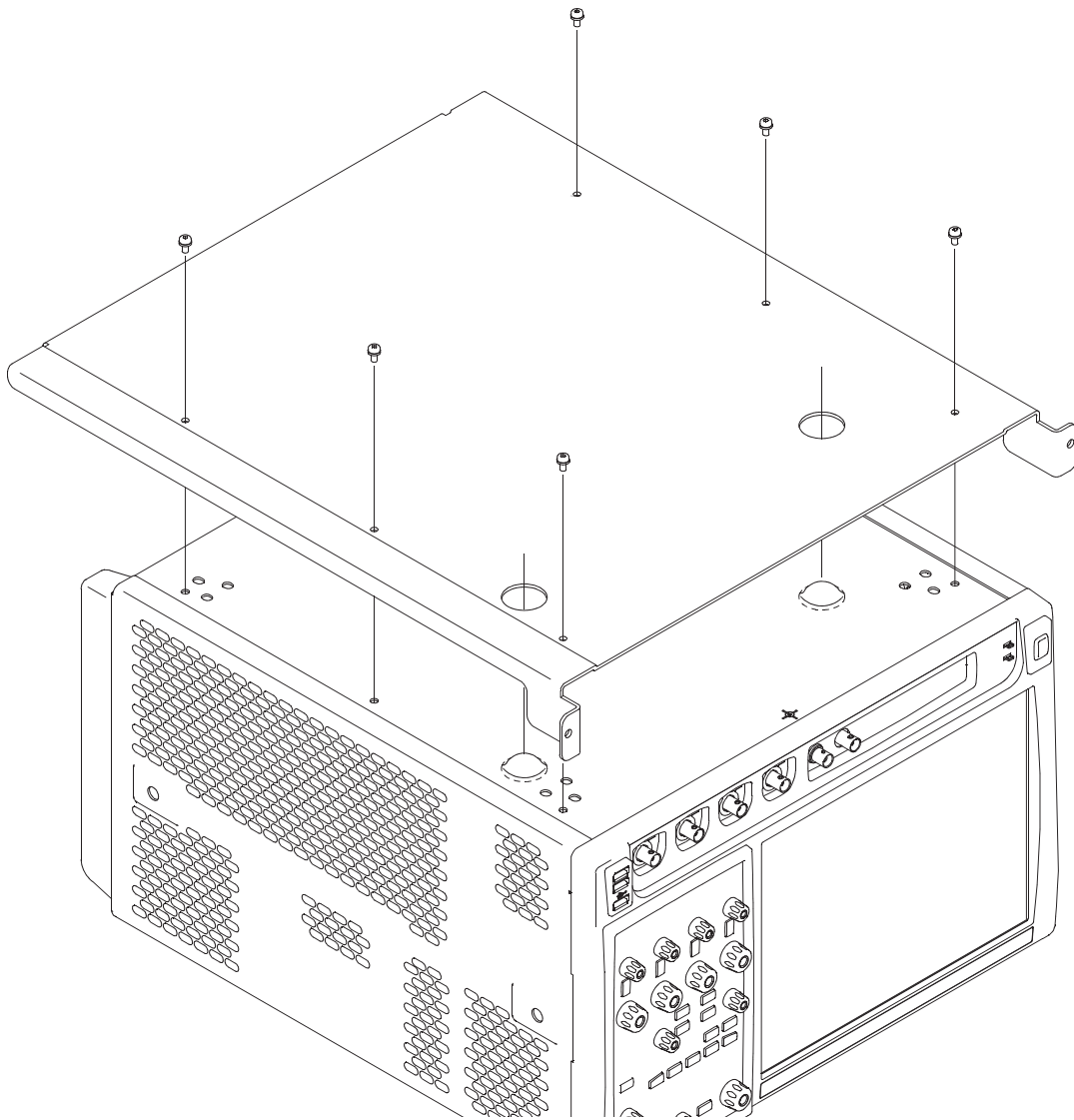
Front Foot Removal



Rear Foot Removal

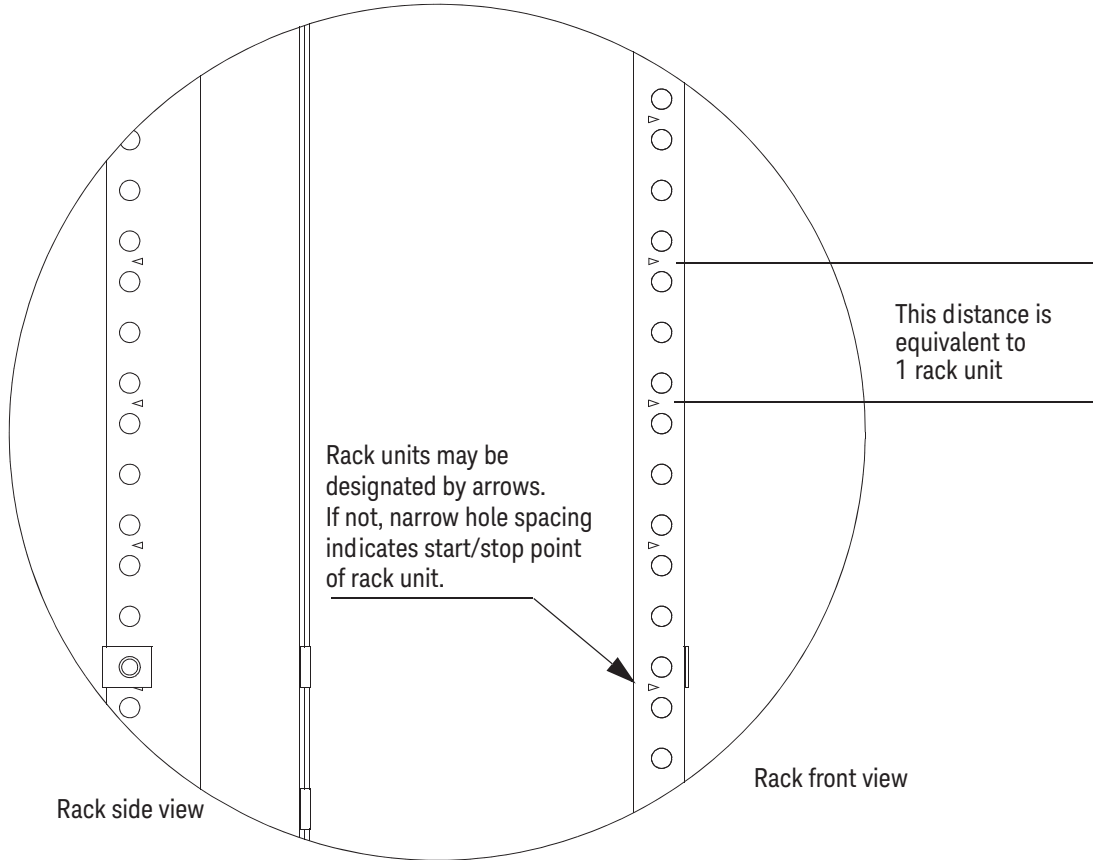


- 3 If the oscilloscope is a V-Series model, remove the side handles.
- 4 Once all feet have been removed, attach the support tray to the bottom of the oscilloscope by aligning the six mounting holes on the support tray with the matching mounting holes on the bottom of the oscilloscope as shown. Secure the support tray with the six T20 TORX screws (supplied).

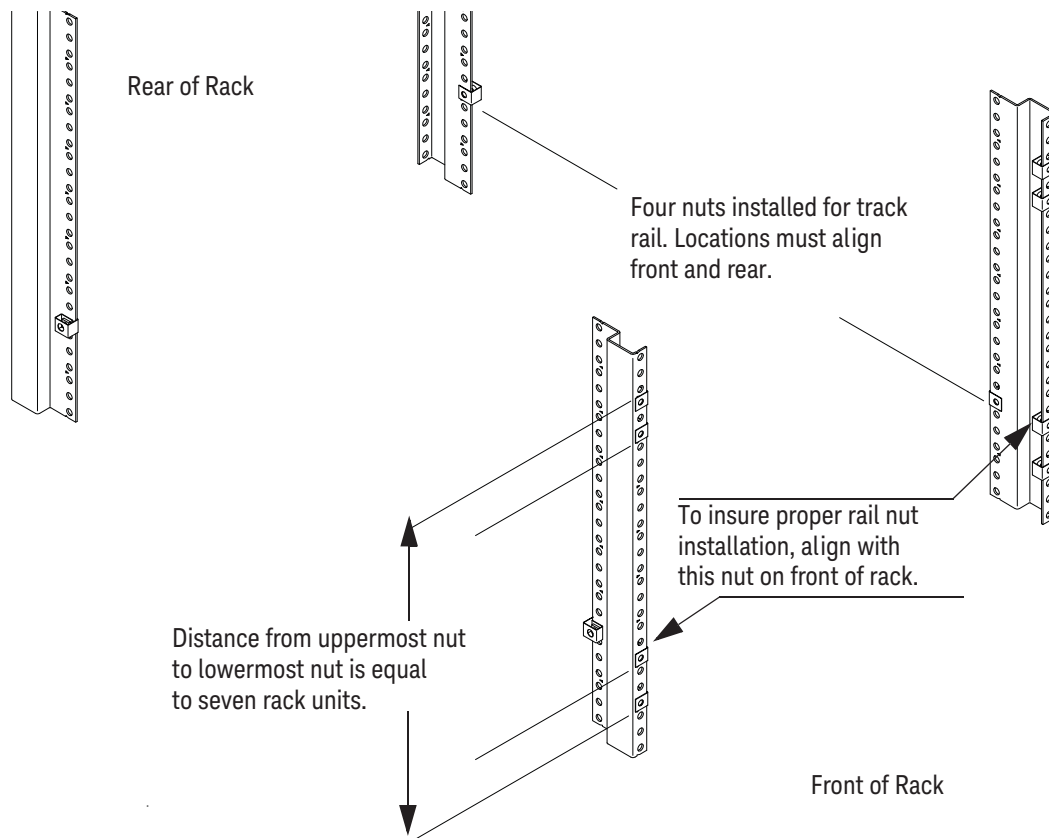


Preparing the rack

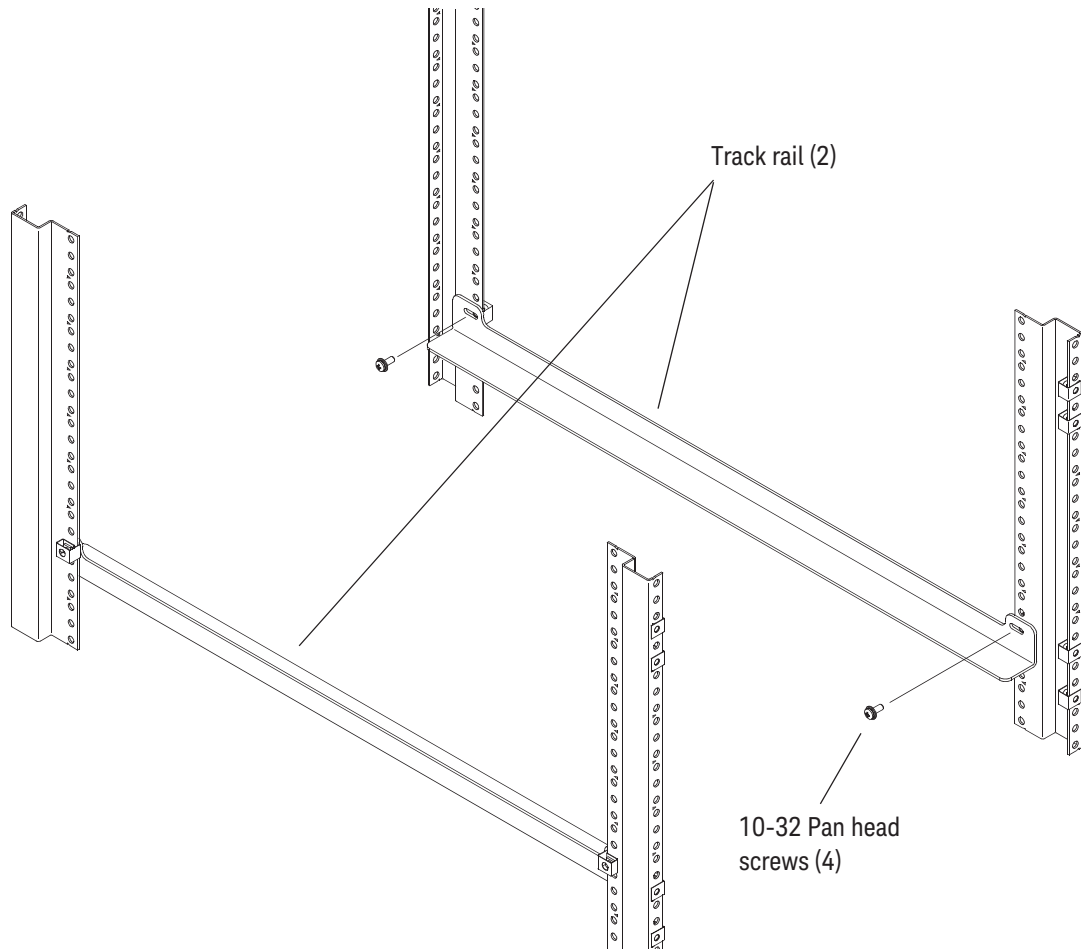
- 5 To prepare the rack for sheet metal nut installation, seven rack mount units must be designated for use. The following diagram shows how to determine a rack unit.



The following figure indicates proper locations for sheet metal nut locations. To ensure a level installation, the same seven rack unit locations are used on each vertical rack piece.

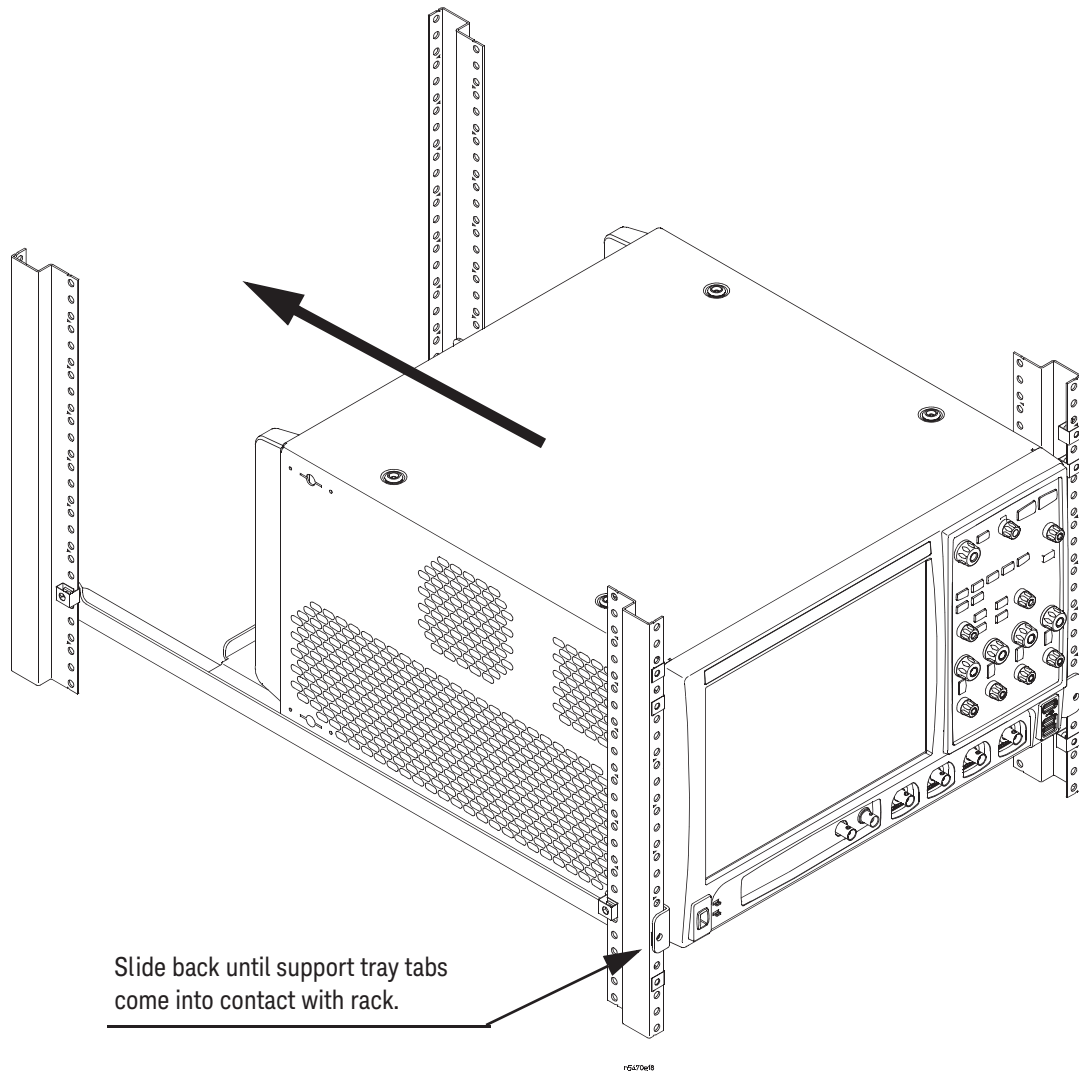


- 6 Attach the track rails to the rack using the four 10-32 panhead screws and #2 Phillips screwdriver provided.



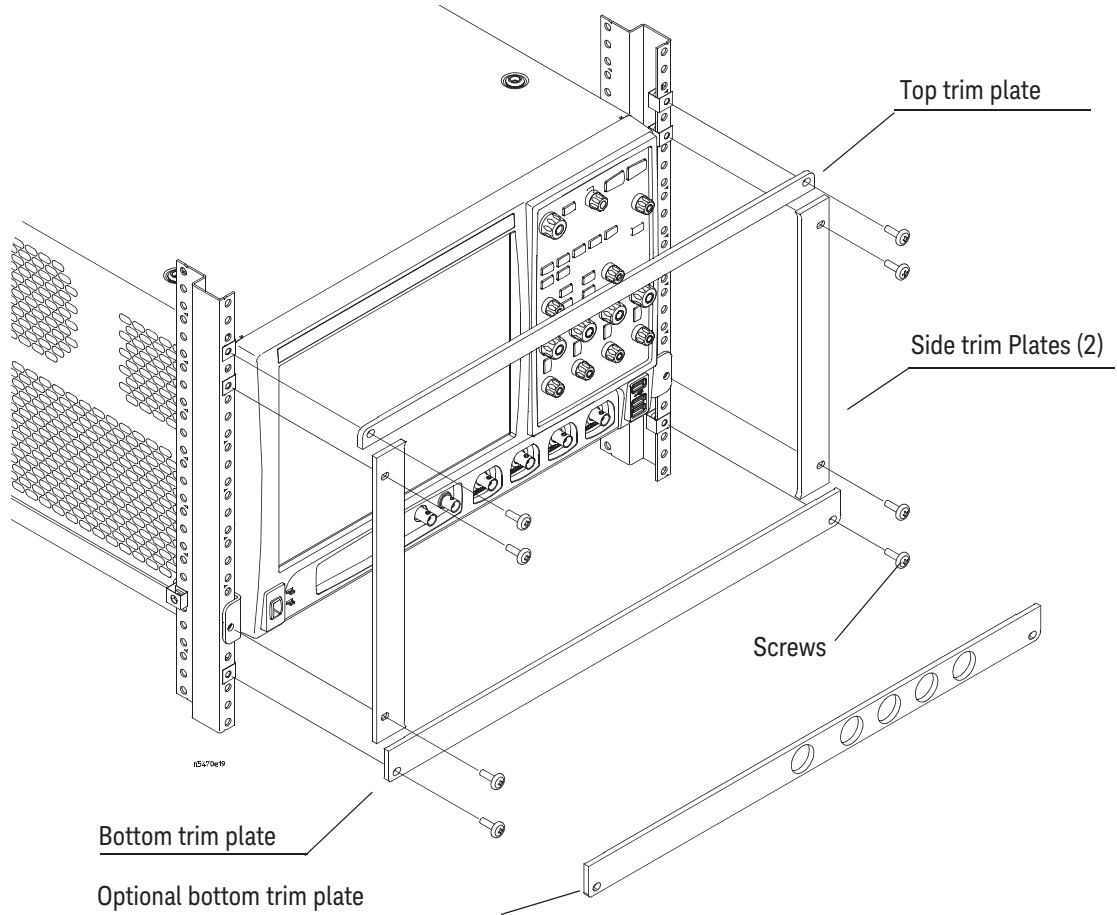
Installing the oscilloscope into the rack

- 7 Carefully place the oscilloscope (with the support tray attached) onto the track rails. Push the oscilloscope to the rear of the rack until the support tray tabs are against the rack.



Attaching trim plates

- 8 Attach the trim plates using the eight 10-32 pan head screws that have nylon washers supplied. An optional bottom trim plate with cabling egress holes is provided.



The oscilloscope is now fully installed in the rack mount assembly.

Dimensions

Approximate Dimensions of Rack Mount Trim Plate Pieces

Side trim plate	Top trim plate	Bottom trim plate	Optional bottom trim plate
▪ Length: 26.39 cm (10.4 in)	▪ Length: 48.26 cm (19 in)	▪ Length: 48.26 cm (19 in)	▪ Length: 48.26 cm (19 in)
▪ Width: 3.11 cm (1.2 in)	▪ Width: 1.67 cm (0.7 in)	▪ Width: 2.94 cm (1.2 in)	▪ Width: 2.94 cm (1.2 in)



This information is subject to change without notice.

© Keysight Technologies 2015

Printed in Malaysia
February, 2015



N5470-92001
www.keysight.com